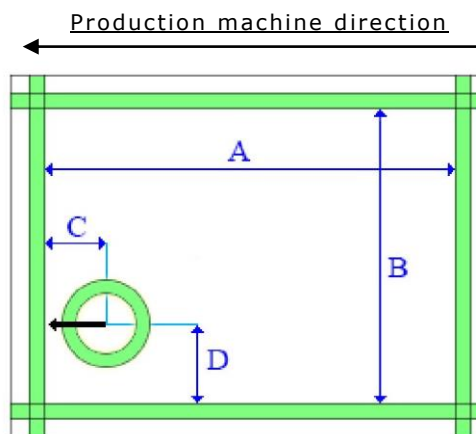


SACCHETTO BAG IN BOX 5LT

I. Product and materials description:

Volume (It)	5.00	Date	28.04.2015	Prepared by	D. Petkov
1	Outer film	MET690.73S	1	Tap type	ASMZ5059
2	Outer film description	690MMMET25/12/30 METALLISS/L800RD	2	Tap description	VINIFLOW UNIVERSALTAP, BLACK/RED WD302931
3	Inner film	7LL690.50S	3	Gland type	MLDZ5067
4	Inner film description	ClearLLDPE 700mmR/D, 50mcr	4	Gland description	VINIFLOW NEW UNIV 28MM, FIXED HOT FILL WD201662
5	Bag additional treatment		5	Tap orientation	6.00 o' clock
6	Application of the bag		6	Tap depth	First stage

II. Graphic design:



III. Controlled parameters:

Perf Strength	Dimension A (mm)	Dimension B (mm)	Dimension C (mm)	Dimension D (mm)	Dimension E (mm)	Dimensions Tolerance (mm)
	375	315	50	50		+ /- 5

IV. Packaging:

1	Cardboard box	PKGZ5005 - Cardboard box 785x585x345
2	Number of bags per box (pcs)	400
3	Box gross weight (kg)	18,6
4	Pallet	MPAL - (standard IPPC treated euro pallet) 1200 x 800 x 150
5	Number of boxes per pallet	12
6	Pallet gross weight (kg)	233,2
7	Bag's logo printing	Rapak EAD
8	Labels	Rapak EAD